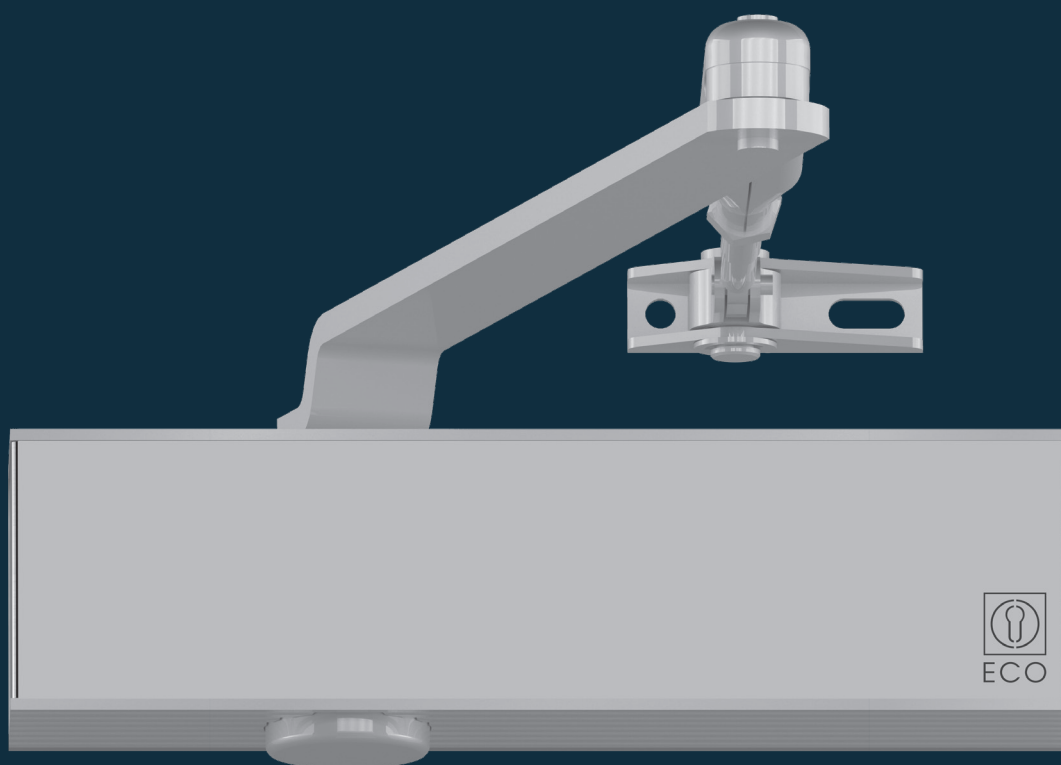
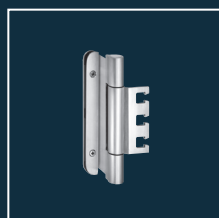
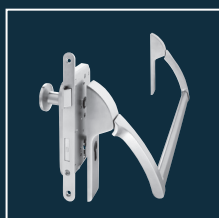
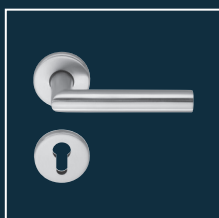
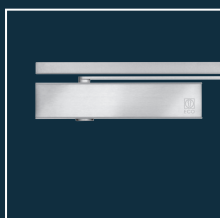


ECO **Newton** TS-14 EN

Product information



■ SYSTEM TECHNOLOGY FOR THE DOOR

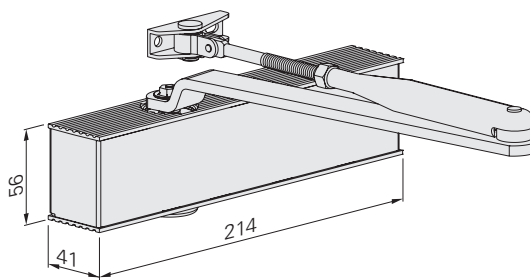




ECO

Performance criteria

Closing force	according to EN standards	2/3/4
Door width	≤ 1100 mm	■
Dimensions	Length in mm	214
	Depth in mm	41
	Height in mm	56
Mounting plate		□
Pull / push side		■
DIN left / DIN right		■
Latching speed (adjustable at the side)		■
Closing speed (adjustable at the side)		■



Dimensions: TS-14 EN

Tested to EN standards	EN 1154
Suitable for fire and smoke protection doors	F
Certified according to EU regulations	CE

- Yes
- No
- Optional



ECO Newton TS-14 EN "Highlights at a glance"



Details for ECO Newton highlights can be found at the beginning of this section.



Body + ECOcllic:
Silver RAL 9006

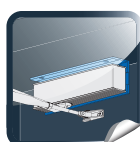
Body + ECOcllic:
White RAL 9016

Body + ECOcllic:
Black RAL 9005

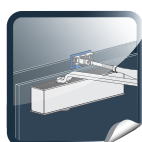


Different closing forces can be set by movement on the door leaf.

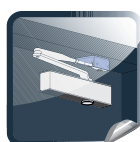
Standard arms and levers are always delivered in the same colour as the body.



Transom brackets for door closers



Adaptor profiles



Mounting brackets for parallel arm installation

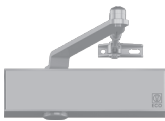
Order information

ECO Newton TS-14 EN "Standard arm closer"

Product information

- Closing force 2 / 3 / 4 (with mounting plate 3/4) according to EN standards (for door widths up to 1100 mm)
Adjustable by moving the door closer
- Latching speed and closing speed continuously adjustable at the side
- Same model for DIN L / R
- Depth only 41 mm
- Max. Door opening angle: 180°
- Pull side installation – standard installation (mounted on door leaf)
- Push side installation – overhead installation (mounted on transom)

Article numbers



Door closer with standard arm	Colour		Art. No.	Mounting plate for TS-14 EN	Colour		Art. No.
TS-14 EN (2/3/4)	Silver	RAL 9006	5030039305	MPL-14 EN (3/4)	Silver	RAL 9006	5030040766
TS-14 EN (2/3/4)	White	RAL 9016	5030039306	MPL-14 EN (3/4)	White	RAL 9016	5030040768
TS-14 EN (2/3/4)	Black	RAL 9005	5030039307	MPL-14 EN (3/4)	Black	RAL 9005	5030040769

Autostadt VW, Wolfsburg,
Germany

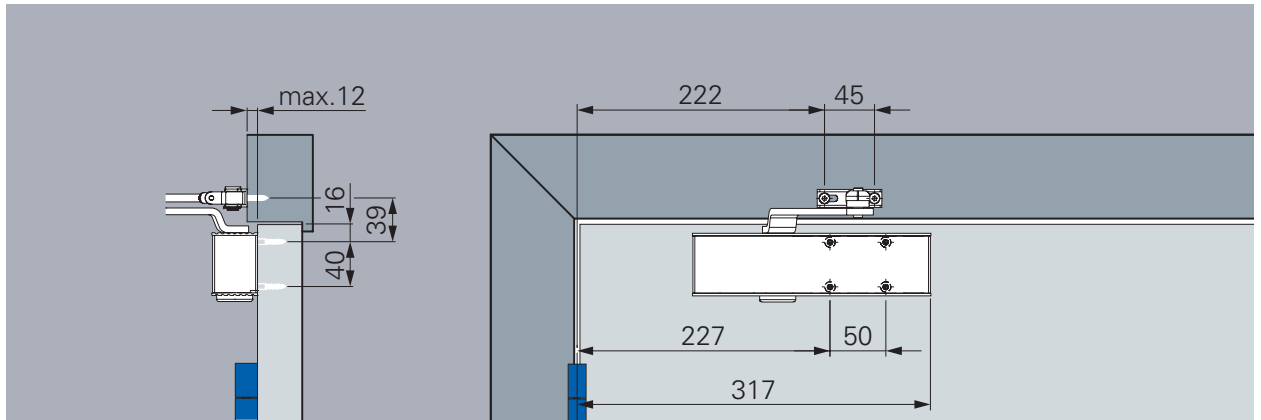


ECO Newton **All a question of the system.**

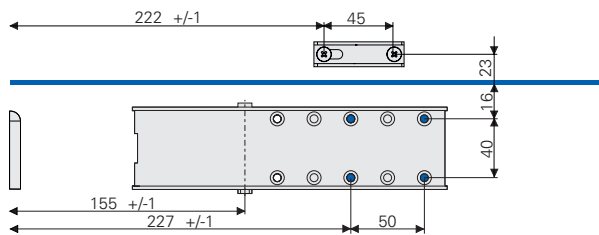
The new ECO Newton door closers are part of the comprehensive ECO Schulte door fittings system. ECO Schulte thinks in terms of complete solutions and is one of the few system providers for all aspects of doors: From hinges to handles, from panic doors and locking technology to single and double-leaf door closer systems and automation, the company provides all safety components from one source. A unique, conclusive overall concept in technology, function, form and service, because safety is inseparable.

Pull side

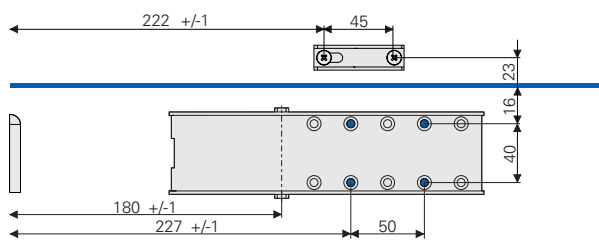
Figure DIN left door, DIN right mirrored



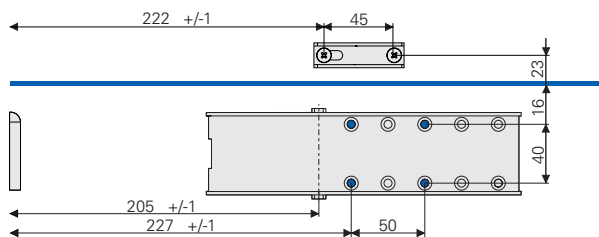
Standard installation, pull side (EN 3, direct installation, without mounting plate)



Closing force EN 2



Closing force EN 3

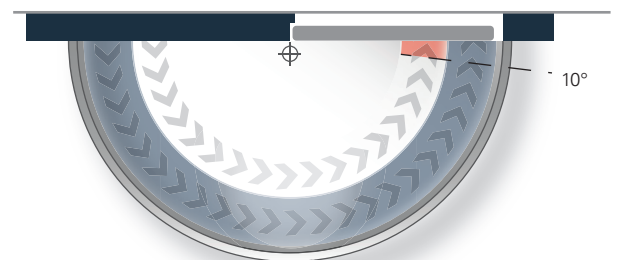


Closing force EN 4

Closing forces

Different closing forces can be set by moving the door closer on door leaf.

Closing forcediagram ECO Newton TS-14 EN, pull side



Closing speed

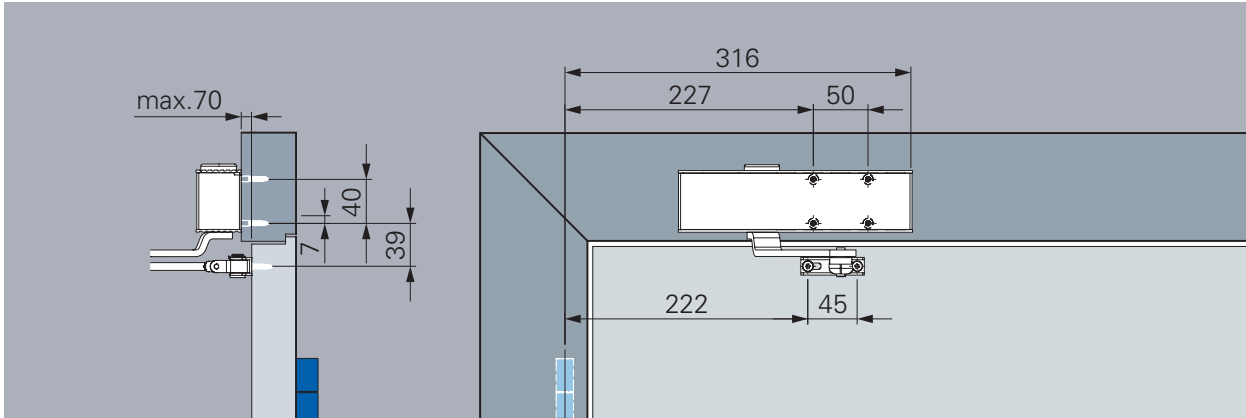
Continuously adjustable closing speed from 180° – 0°.

Latching speed

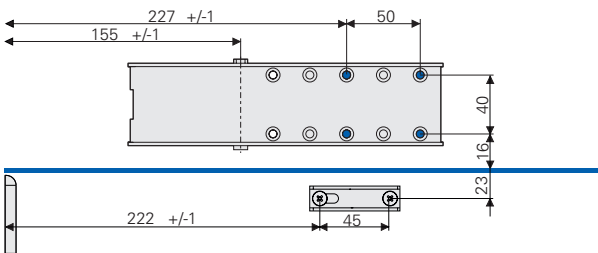
Increases the closing speed and thus the closing force for safe closing of the door, e.g. to overcome door seals, latches and air pressure. Continuously adjustable, active from 10° – 0°.

Push side

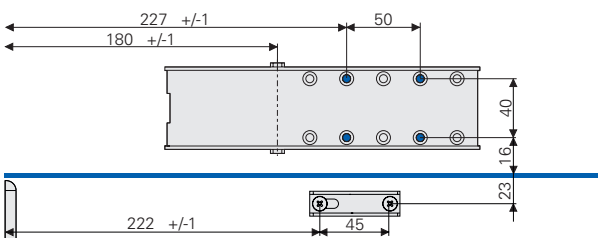
Figure DIN right door, DIN left mirrored



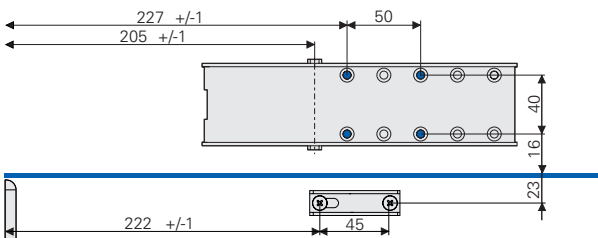
Overhead installation, push side (EN 3, direct installation, without mounting plate)



Closing force EN 2



Closing force EN 3



Closing force EN 4

Closing forces

Different closing forces can be set by moving the door closer on the door frame.

Closing forcediagram ECO Newton TS-14 EN, push side



Closing speed

continuously adjustable closing speed from 170°* – 0°.

Latching speed

increases the closing speed and thus the closing force for safe closing of the door, e.g. to overcome door seals, latches and air pressure. Continuously adjustable, active from 10° – 0°.

*Varies according to door thickness and hinge type.

Opening range must be limited by a door stopper!

ECO Schulte GmbH & Co. KG
Iserlohner Landstraße 89
D-58706 Menden

Telefon: +49 2373/92 76-0
Fax: +49 2373/92 76-40

info@eco-schulte.de
www.eco-schulte.de

© ECO Schulte GmbH & Co. KG - Änderungen vorbehalten
© ECO Schulte GmbH & Co. KG - Subject to change